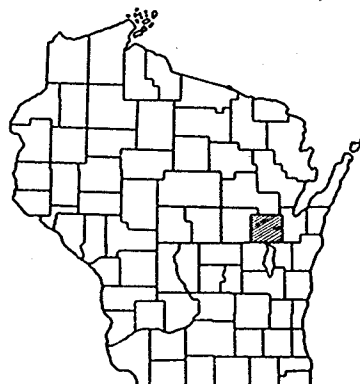


INDEX OF SHEETS

- SHEET NO. 1 TITLE
- SHEET NO. 2 TYPICAL CROSS SECTIONS
- SHEET NO. 2 ESTIMATE OF QUANTITIES
- SHEET NO. NONE MISCELLANEOUS QUANTITIES
- SHEET NO. NONE RIGHT OF WAY PLAT
- SHEET NO. 2-4 PLAN AND PROFILE STA. 0+00 TO STA. 155+81.7
- SHEET NO. NONE STANDARD DETAILS
- SHEET NO. NONE DRAINAGE STRUCTURES
- SHEET NO. NONE CROSS SECTIONS



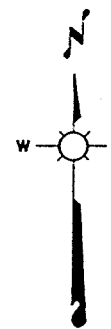
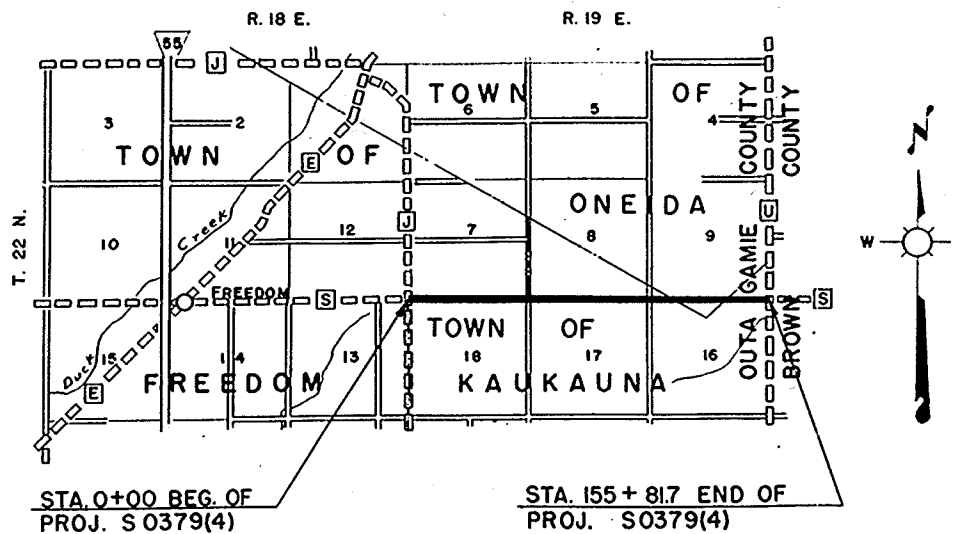
STATE OF WISCONSIN
STATE HIGHWAY COMMISSION OF WISCONSIN

PLAN AND PROFILE OF PROPOSED
FREEDOM-EAST CO. LINE ROAD
OUTAGAMIE COUNTY

PROJ. S 0379(4)

COUNTY AND HIGHWAY	ROUTE AND SECTION	CLASS AND AGREEMENT		FEDERAL DIVISION OFFICE	SHEET NUMBER	TOTAL SHEETS
		STATE	FEDERAL			
446	3790		114	WIS. 5N	1	4

PLAN 1 IN. = 200 FT.
PROFILE HOR. 1 IN. = 200 FT. VERT. 1 IN. = 20 FT.



CONVENTIONAL SIGNS

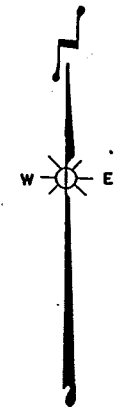
- | | |
|---|---|
| <p>STATE LINE.....</p> <p>COUNTY LINE.....</p> <p>TOWNSHIP OR RANGE LINE.....</p> <p>SECTION LINE.....</p> <p>NEW RIGHT OF WAY LINE.....</p> <p>PRESENT RIGHT OF WAY LINE.....</p> <p>WIRE FENCE {WOVEN.....</p> <p style="padding-left: 20px;">{BARBED.....</p> <p>LOT LINE.....</p> <p>CORPORATE OR CITY LIMITS.....</p> <p>PROPERTY LINE..... PL. 328</p> <p>TRAVELED WAY OR P.E.....</p> <p>RAILROADS.....</p> <p>BASE OR SURVEY LINE..... 30</p> | <p>CULVERTS IN PLACE.....</p> <p>CULVERTS REQUIRED.....</p> <p>DROP INLET.....</p> <p>POWER POLE.....</p> <p>TELEPHONE OR TELEGRAPH POLE.....</p> <p>RIGHT OF WAY MARKERS.....</p> <p>REFERENCE STAKE FOR HUBS ONLY.....</p> <p>MARSH.....</p> <p>HEDGE.....</p> <p>TREES.....</p> <p>GROUND ELEVATION..... DATUM LINE 73.9</p> <p>GRADE ELEVATION..... DATUM LINE 73.9</p> |
|---|---|

LAYOUT
SCALE 1 MILE

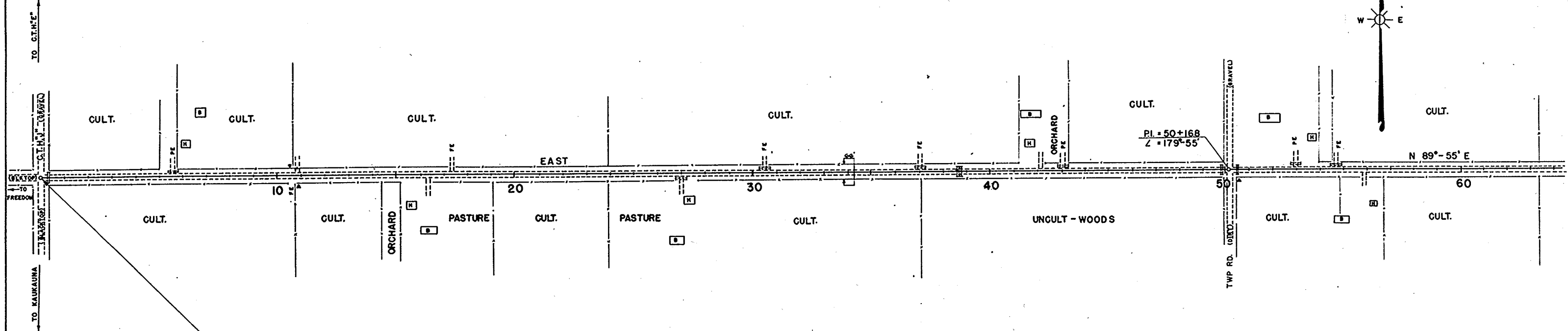
TOTAL NET LENGTH OF CENTERLINE = 2.951 MI.

STATE HIGHWAY COMMISSION OF WISCONSIN MADISON, WIS.	FEDERAL WORKS AGENCY PUBLIC ROADS ADMINISTRATION
SURVEYOR <u>L.J.L.</u> NOTE BOOK <u>9253</u>	RECOMMENDED FOR APPROVAL DATE
DIVISION COMPUTER <u>R.H.</u> M.O. CHECKER	
DIVISION CHECKER..... CORRECT	DISTRICT ENGINEER PUBLIC ROADS ADMINISTRATION FEDERAL WORKS AGENCY
CORRECT:	
DATE <u>4/6/49</u> <u>L.J.L.</u> DIVISION ENGINEER	APPROVED _____ DATE _____
RECOMMENDED FOR APPROVAL:	DIVISION ENGINEER PUBLIC WORKS ADMINISTRATION FEDERAL WORKS AGENCY
DATE <u>5/18/49</u> <u>an Bluh</u> CONSTRUCTION ENGINEER	
APPROVED:	FIELD INVESTIGATED BY: <u>D.E. SCHNEIBL</u> C.G.E. W.M.C. — APRIL 3, 1949
DATE <u>5/18/49</u> <u>E.L. Rorty</u> STATE HIGHWAY ENGINEER	

DISTRICT OFFICE	PROJECT	SHEET NUMBER	TOTAL SHEETS
WIS. S.N.	5 0379(4)	2	4



BENCH MARKS			
NO	STATION	DESCRIPTION	ELEV.
1		SPIKE IN PW. POLE	100.00
2	50+27	SPIKE IN PW. POLE 35'LT	95.15



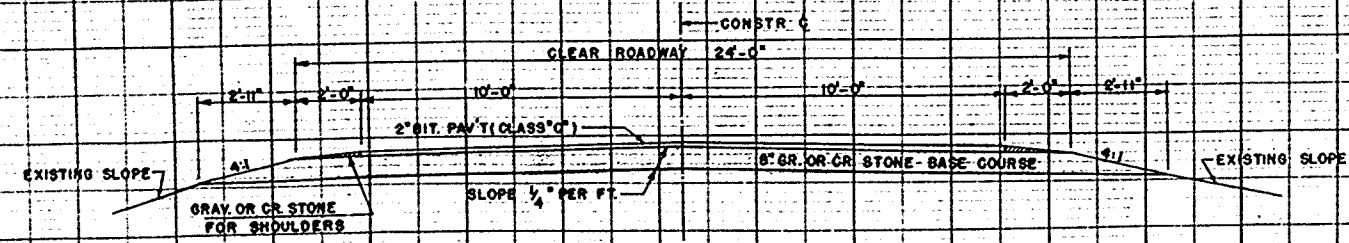
NET LENGTH OF CENTERLINE		
STATION TO STATION	LIN. FT.	
0+00	64+00	6,400

STA. 0+00 BEG. OF PROJ. S0379(4)

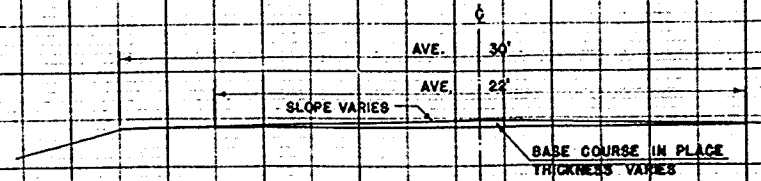
ESTIMATE OF QUANTITIES

THIS PROJECT IS TO BE EXECUTED UNDER THE STANDARD SPECIFICATIONS FOR ROAD AND BRIDGE CONSTRUCTION OF THE STATE HIGHWAY COMMISSION OF WISCONSIN - EDITION OF 1941, APPROVED SEPT. 28, 1941; FEDERAL AID SPECIAL PROVISIONS APPROVED AS STANDARD NOV. 8, 1948, AND SPECIAL PROVISIONS AS ATTACHED TO PROPOSALS.

STATION TO STATION	NET LENGTH OF CENTERLINE	GRAVEL OR CRUSHED STONE TRAFFEBOUND SURF. (BASE) COURSE	BITUMINOUS MATERIAL FOR		GRADED AGGREGATE BITUMINOUS SURFACE COURSE (ENHANCED BR. TYPE CLASS "C") ROAD MIX	
			PRIME COAT	SURFACE COURSE	WEARING SURFACE	AGGREGATE
0+00-155+81.7	155.817	11,800	10,000	35,000	2,951	2500
CONTRACT NO.		1	2	2	2	1

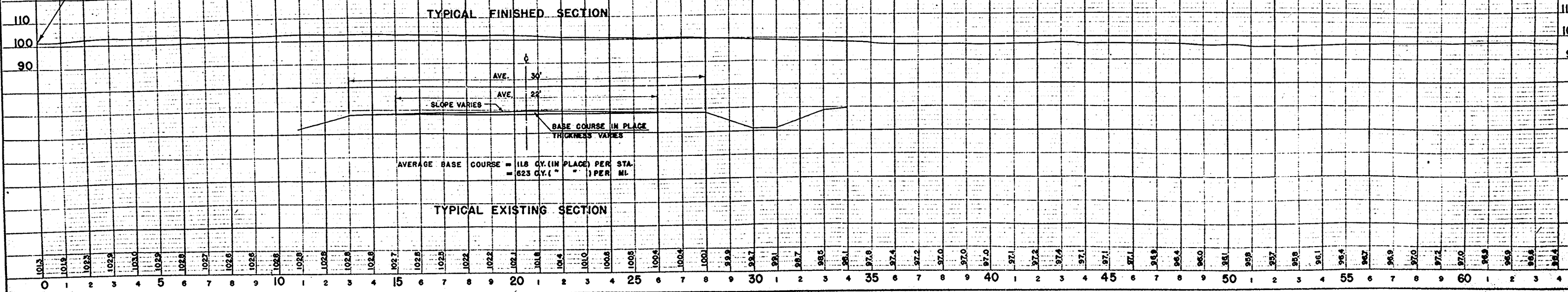


TYPICAL FINISHED SECTION



AVERAGE BASE COURSE = 118 CY. (IN PLACE) PER STA.
= 623 CY. (" ") PER MI.

TYPICAL EXISTING SECTION



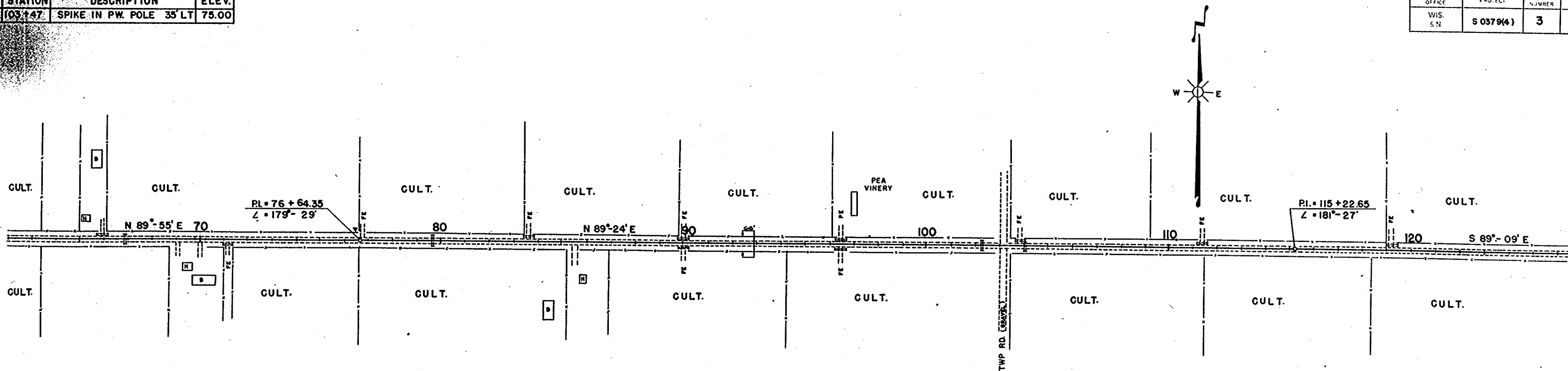
DATE: 2-23-48
BY: H.J.
CHECKED: H.J.
PLANNED: H.J.
NOTE: ROAD ALIGNMENT CHECKED BY H.J. 11-1-47.
NO. 8253.

DATE: 2-23-48
BY: H.J.
CHECKED: H.J.
PLANNED: H.J.
NOTE: PROFILE PLOTTED BY H.J. 11-1-47.
NO. 8253.

BENCH MARKS

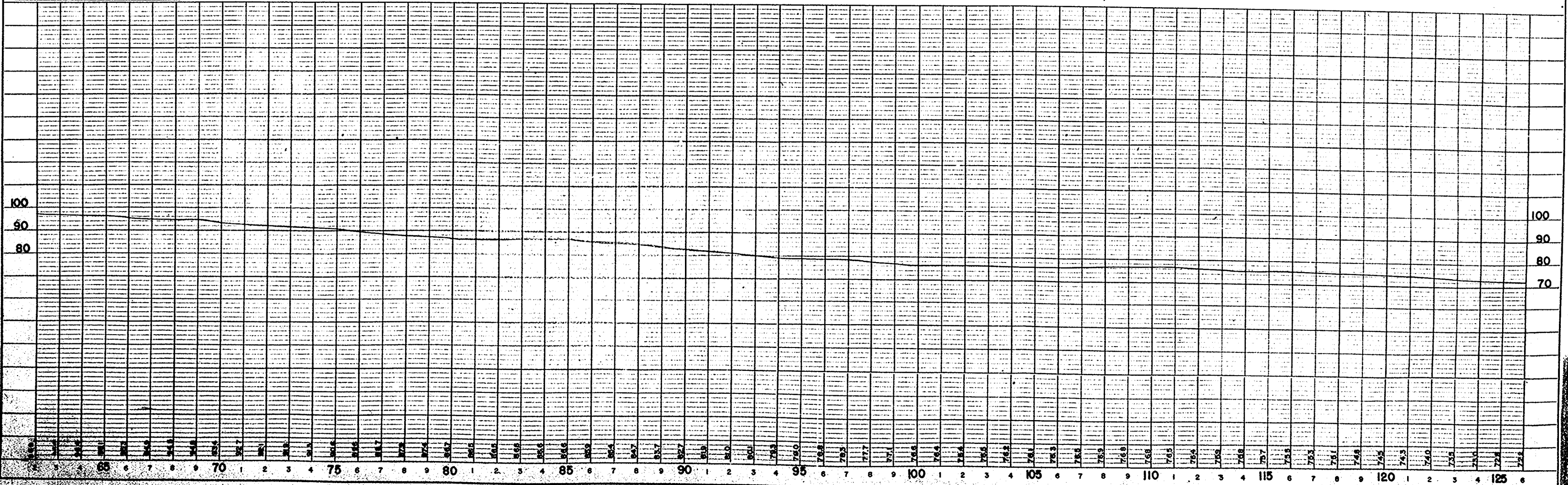
NO.	STATION	DESCRIPTION	ELEV.
3	103+47	SPIKE IN PW. POLE 35' LT	75.00

P.A. DISTRICT OFFICE	PROJECT	SHEET NUMBER	TOTAL SHEETS
WIS. S.N.	S 0379(4)	3	4



NET LENGTH OF CENTERLINE

STATION TO STATION	LIN. FT.
64+00 125+00	6100



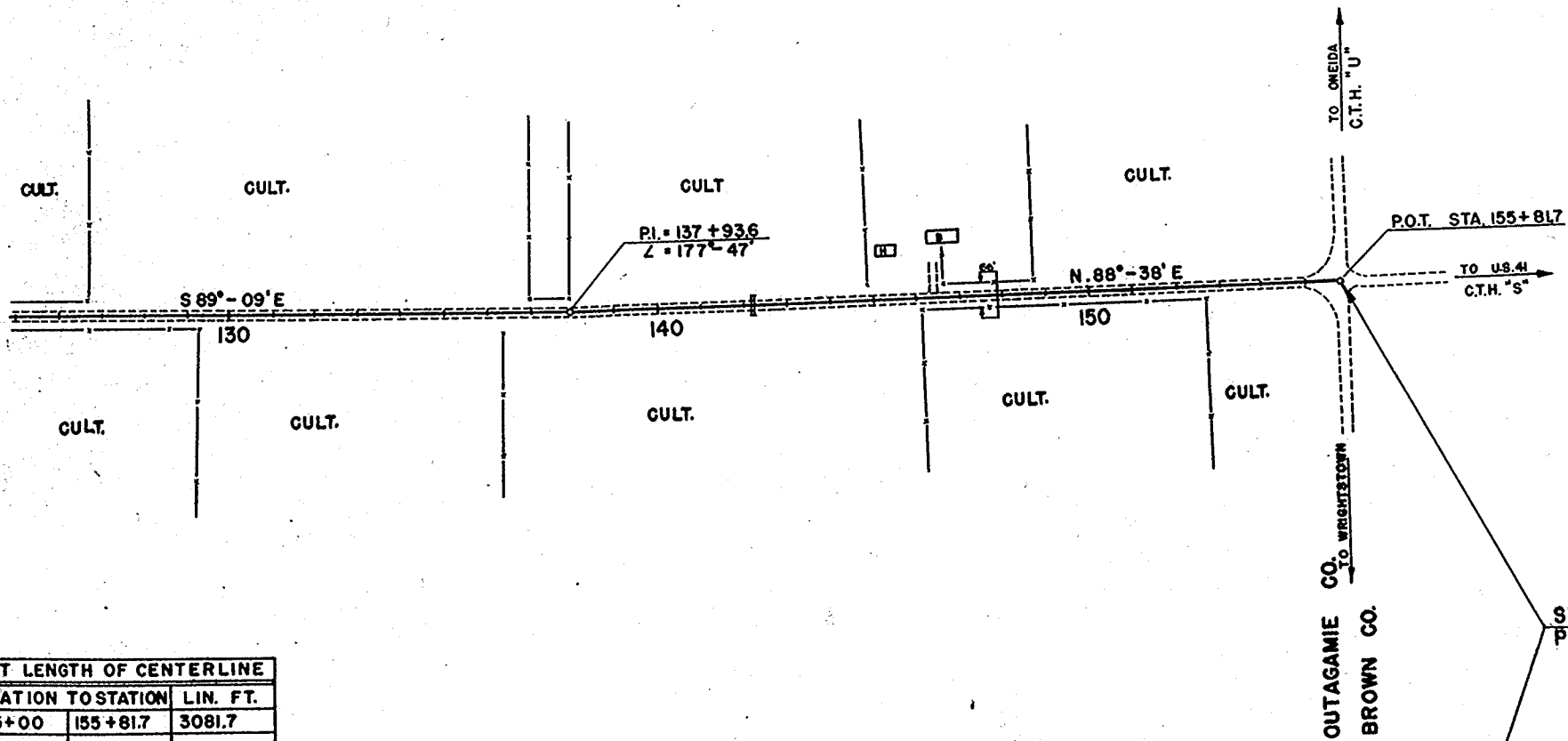
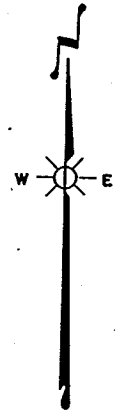
PLAN
 DRAWING NO. 103+47
 NOTE BOOK ALPHABETIC CHECKED
 NO. 2203

PROFILE
 DRAWING NO. 103+47
 NOTE BOOK ALPHABETIC CHECKED
 NO. 2203

P.R.A. DISTRICT OFFICE	PROJECT	SHEET NUMBER	TOTAL SHEETS
WIS. 5 N	S 0379(4)	4	4

BENCH MARKS

NO.	STATION	DESCRIPTION	ELEV.
4		NW COR. WHEEL GUARD OF BR.	51.98



NET LENGTH OF CENTERLINE

STATION	TO STATION	LIN. FT.
125+00	155+81.7	3081.7



PLAN
 SURVEYED BY
 PLOTTED BY
 NOTE BOOK NO. 3283
 ALIGNMENT CHECKED BY
 FT. OF WAY CHECKED BY

PROFILE
 SURVEYED BY
 PLOTTED BY
 NOTE BOOK NO. 3283
 STRUCTURE NOTATIONS CHECKED BY