

Figure 3: Example of a steel pipe cantilever mailbox support

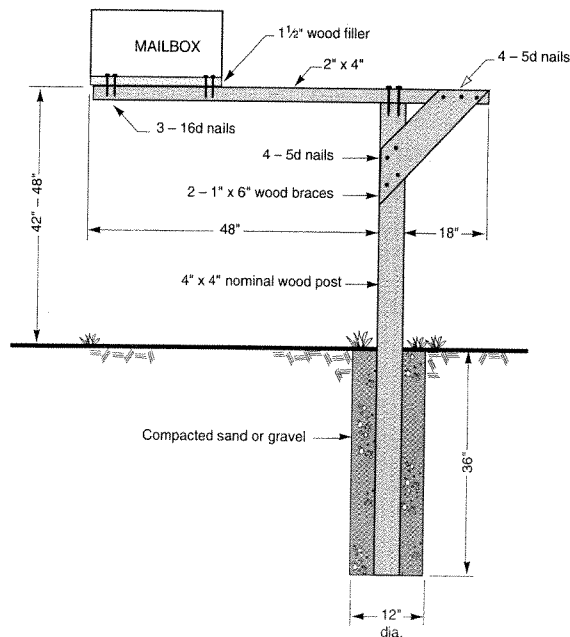


Figure 4: Example of a wood cantilever mailbox support

Siting mailboxes

In Wisconsin snow removal operations frequently conflict with mailboxes. Several local agencies have developed a standard for mailbox installations which has been successful in reducing the number of mailboxes damaged or demolished by snow plows. The standard is published in local papers (Figure 5).

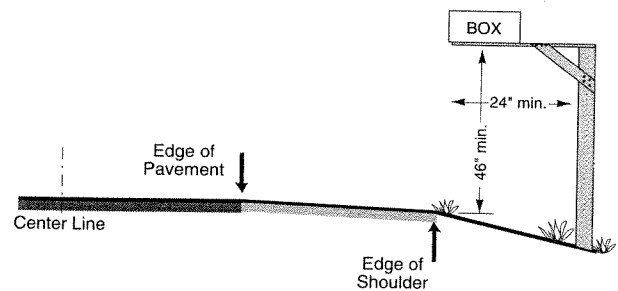
They recommend placing the box on a 24-inch minimum arm, at a minimum height of 46 inches. The front of the box should be aligned with the outside edge of the shoulder.

Locating mailboxes along the roadside is complicated by many factors other than snow removal. These require balancing the maximum convenience to the patron with safety considerations for highway traffic, and with postal carrier convenience and safety. You must also take into account existing roadside conditions such as proximity to intersections; blind spots caused by curves, hills and vegetation; and utility poles, guardrails, nearby bridges, and other physical installations.

NOTICE

Recommended Mailbox Installations

To avoid damage to your mailbox and also allow the snowplows to remove the snow from under your mailbox, the following dimensions are recommended.



Placing mailboxes a short distance away from driveways and intersections helps to avoid vision-restricting snowbanks and also damage to your mailbox. The box and base should be strong enough to withstand flying snow and slush from traffic and snowplows.

By order of the _____
and with the approval of the U.S. Postal Service.

Highway Commissioner

Postmaster

Figure 5: Sample mailbox notice